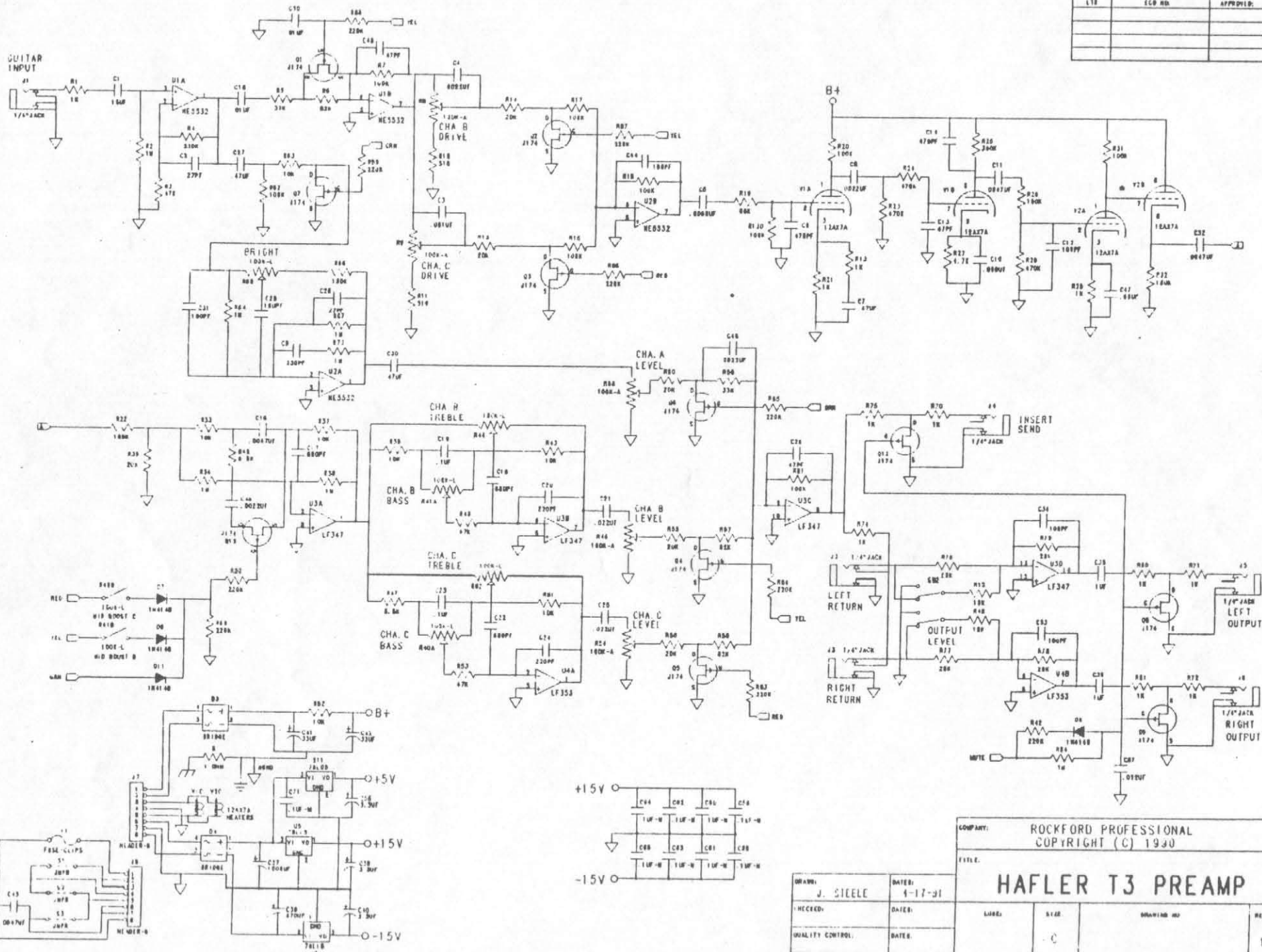


REVISION RECORD			
LT#	EXP. NO.	APPROVED:	DATE



COMPANY: ROCKFORD PROFESSIONAL  
 COPYRIGHT (C) 1980

FILE: **HAFLER T3 PREAMP**

LIBEL:	SIZE:	DRAWING NO:	REV:
			1

SCALE: SHEET 1 OF 2

DRAWN:	J. STEELE	DATE:	1-17-81
CHECKED:		DATE:	
QUALITY CONTROL:		DATE:	
RELEASED:		DATE:	

